

elcometer®



INTRODUCING

TORNADO

AIRLESS PUMPS

Airless Sprayers for Protective Coatings

TORNADO

AIRLESS PUMPS



Engineered to quietly deliver high performance in the harsh environments of the protective coatings industry.

Reliable Performance

Designed to handle the toughest high volume protective and corrosion resistant coatings in almost all environments.

Tough Engineering

With smooth changeovers, low pulsation, and easy onsite maintenance, the Elcometer Tornado Airless Pump has been engineered from the ground up and built to last.

Whisper Quiet Spraying

The Elcometer Tornado's unique dual exhaust silencers and anti-icing technology ensure quiet and reliable operation in either hot or cold climates.

Ready for work...

Insulated Poppet Switches

- Incorporates aerospace technology to prevent icing
- Quick access for servicing

Whisper Quiet Exhausts

- Eliminates internal icing
- Ensures quiet operation

Accessible & Protected Air Controls & Filters

- Avoids accidental knocks
- Integrated moisture separator to ensure good quality air

All Terrain Cart

- Lightweight and balanced
- Robust roller-bearing airless tyres
- Integrated spray gun and hose hooks
- Pre-fitted hopper attachment points



Reliable & Robust Air Motor

- Smooth & crisp changeovers
- Operates in hot & cold environments
- Low pulsation even with two spray guns
- Quiet, reliable operation

Integrated Tool Storage

- Ideal for storing essential tools, spray tips, filters and lubricating oils

High Performance Pump Lower

- Ideal for protective & marine coatings
- Available as 71:1 and 43:1 ratio pumps
- Supports up to two spray guns
- Field replaceable elcoTOUGH™ long-life packings
- Quick release piston lower
- Easily removable with a hammer

Rapid Change Suction Hose

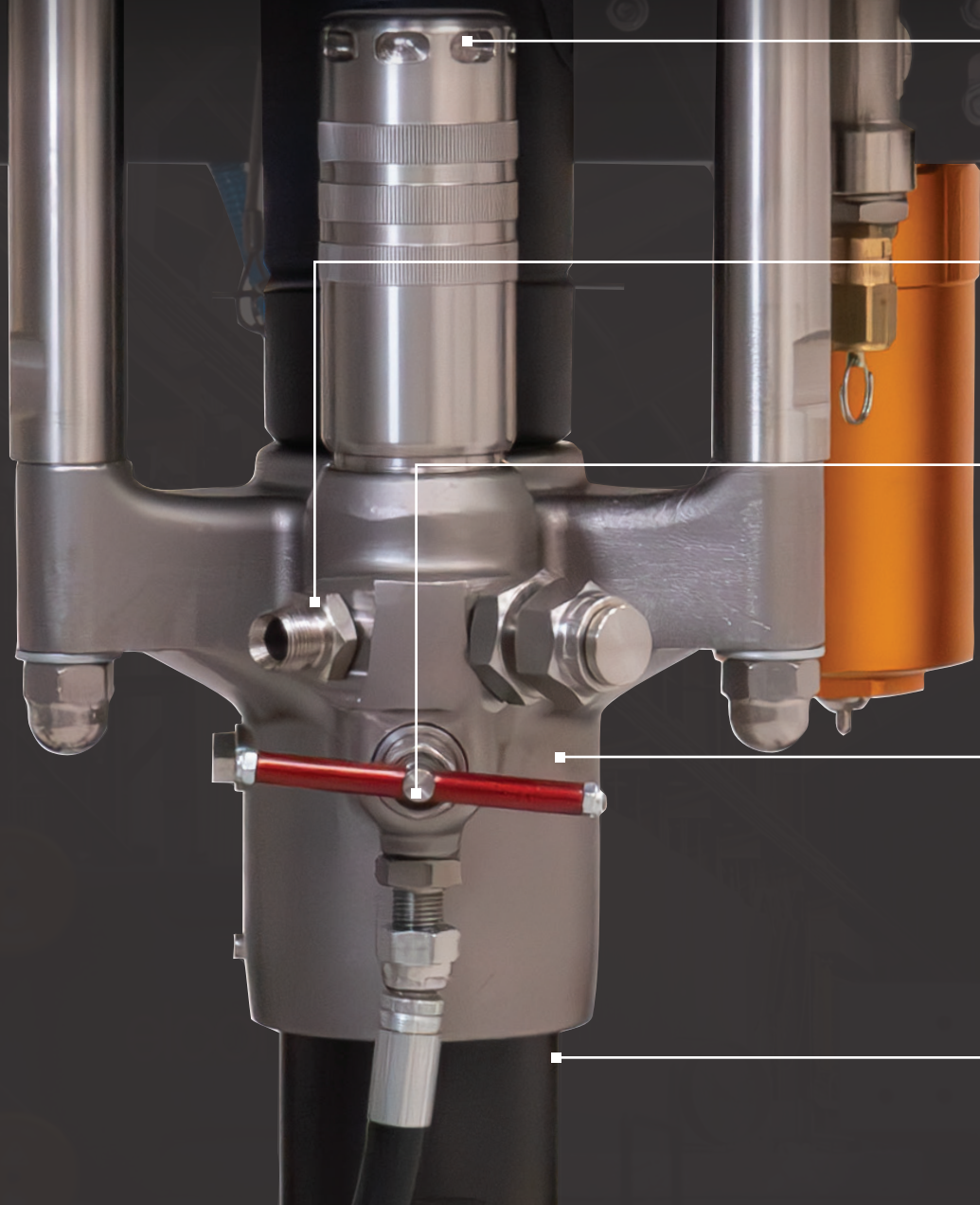
- Smooth flow elbow joint for easy cleaning
- Safe to use fluid purge hose
- User-replaceable fluid hose
- Integrated drip hook

TORNADO

elcometer®

TORNADO

AIRLESS PUMPS



Fluid Filter

- Integrated pump filter
- Accessible for easy maintenance

Two Gun Outlets

- Supports two spray guns

Accessible Bleed Valve

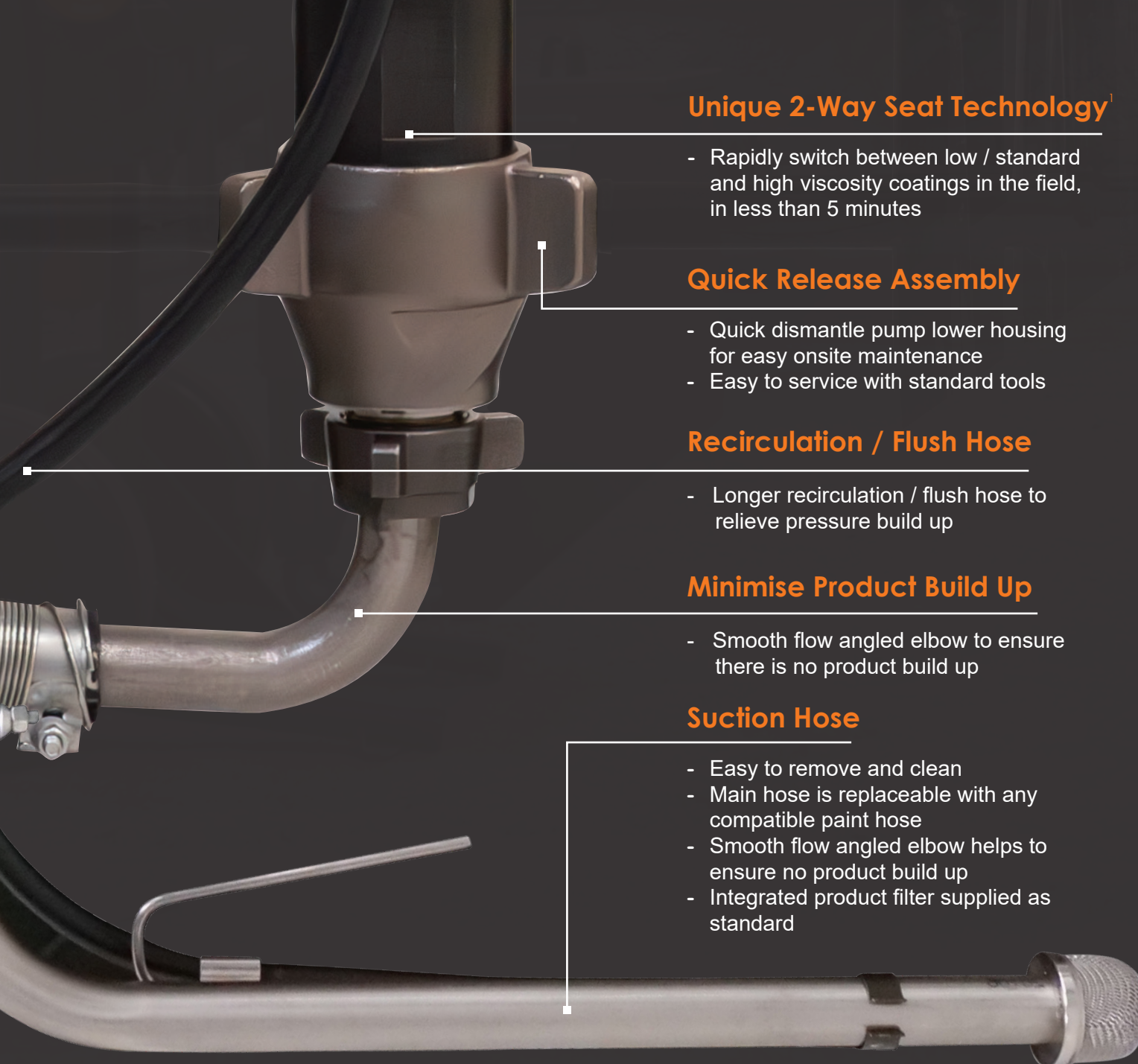
- Safe and ensures greater control when purging under high pressure

Powerful Pump Lower

- Suitable for use with protective and marine coatings
- Long-life stainless steel balls and tungsten carbide seats

Piston Guard

- Prevents finger trap
- Keeps debris out of the throat wet cup



Unique 2-Way Seat Technology¹

- Rapidly switch between low / standard and high viscosity coatings in the field, in less than 5 minutes

Quick Release Assembly

- Quick dismantle pump lower housing for easy onsite maintenance
- Easy to service with standard tools

Recirculation / Flush Hose

- Longer recirculation / flush hose to relieve pressure build up

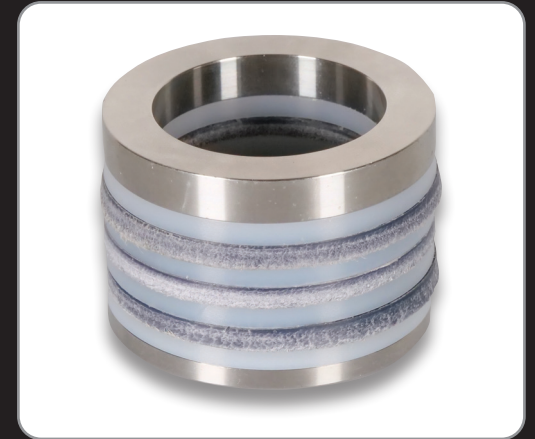
Minimise Product Build Up

- Smooth flow angled elbow to ensure there is no product build up

Suction Hose

- Easy to remove and clean
- Main hose is replaceable with any compatible paint hose
- Smooth flow angled elbow helps to ensure no product build up
- Integrated product filter supplied as standard

elcoTOUGH™ Packings



Long-life elcoTOUGH™ Packings are made of leather and tough ultra-high-molecular-weight polyethylene². Engineered to be abrasive, solvent and wear resistant, elcoTOUGH™ Packings ensure a tight pump seal for a better and consistent performance.

Easy and fast to replace onsite to minimise downtime and maximise spray time, saving you time and money.

¹ Patent applied for ² UHMWPE

TORNADO

elcometer®

TORNADO

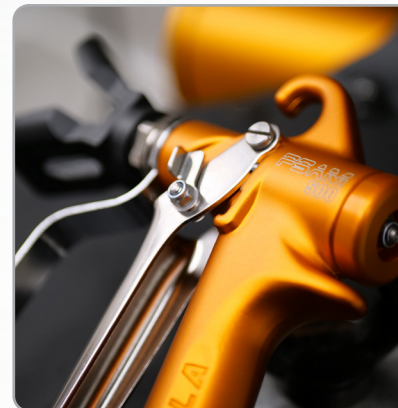
AIRLESS PUMPS



Durable Stainless Steel Hoppers



The Hopper fits directly on to the Elcometer Tornado trolley mount, providing a 38 litre (10 US Gallon) gravity fed system. The secure quick lock mechanism simply clicks into the product inlet, feeding the pump.



Sagola PSAM 500 Airless Pressure Spray Guns

Designed for airless systems up to 500bar (7,252psi), Elcometer's Sagola PSAM 500 offers fast, high product output with minimum overspray.

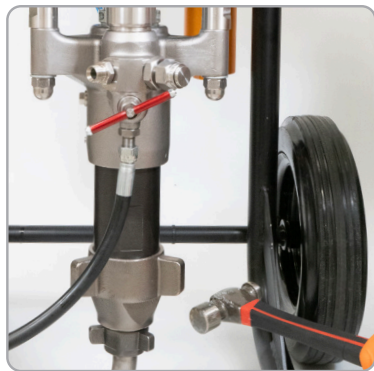
Tested for Ultimate Reliability & Durability

Three years in development, over 3,640 hours of laboratory and field trials with a wide range of marine and protective coatings, in temperatures from -3 to 52°C (27 to 126°F), completing over 13.2 million pump cycles - you can have confidence in the Elcometer Tornado's reliability and durability.

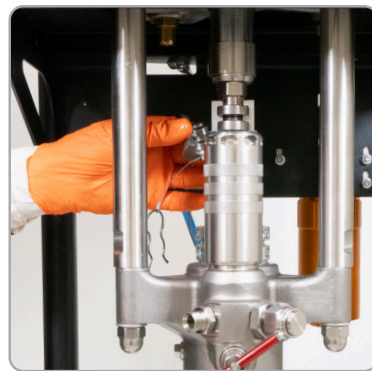


Easy Onsite Maintenance

Save time and money, with maintenance in less than 20 minutes with no special tools!



Loosen the fluid suction hose using a hammer.



Disconnect the piston collars.



Using a wrench, remove pump from tie rods.



Remove the lower to service or replace.

TORNADO

elcometer®

TORNADO

AIRLESS PUMPS

Built for durability and resilience, the Elcometer Tornado Pump is designed to handle extreme environments while delivering consistent, high-quality performance.

With its high-volume, high-pressure output, the Elcometer Tornado is available as industry standard 71:1 and 43:1 ratio pumps - to tackle the most demanding jobs efficiently and reliably, even with the toughest protective coatings.



IDEAL FOR USE WITH:

| | TORNADO 71 | TORNADO 43 |
|--|------------|------------|
| Solvent Based | ▲ | ▲ |
| Water Based | ▲ | ▲ |
| 1K Epoxy Coats | ▲ | ▲ |
| Inorganic Zinc Primers | | ▲ |
| 100% Volume Solid Epoxy Coatings | ▲ | ▲ |
| Glass Filled Epoxy Coatings | | ▲ |
| Anti-Fouling Marine Coatings | ▲ | ▲ |
| Solvent Based 1K Polyurethane Coatings | ▲ | ▲ |
| Solvent Based 2K (pot life 1 hour and above) | ▲ | ▲ |
| Flame Retardant Barrier Coats (Class B) | ▲ | ▲ |
| Coal Tar Epoxy | ▲ | ▲ |

TECHNICAL SPECIFICATION

| | TORNADO 71 | TORNADO 43 |
|---|--|---|
| Ratio | 71 : 1 | 43 : 1 |
| Compatible product that can be sprayed | Protective Coatings | Protective Coatings |
| Fluid Temperature Range | 4.4 to 60°C (40 to 140°F) | 4.4 to 60°C (40 to 140°F) |
| Hydraulic Cylinder | 270cc (3.57gpm) | 270cc (3.57gpm) |
| Maximum Sound (70 psi (0.48 MPa, 4.8 bar) at 15 CPM per ISO-9614-2) | 88dB | 84dB |
| Power Source | Air | Air |
| COMPOSITION OF PARTS IN CONTACT WITH PRODUCT (WET) | | |
| Seats | Tungsten Carbide | Tungsten Carbide |
| Balls | Stainless Steel | Stainless Steel |
| Pump Body / Cylinder Housing | Stainless Steel | Stainless Steel |
| Piston Rod | Stainless Steel | Stainless Steel |
| Packing Kit | PTFE, UHMWPE & Leather | PTFE, UHMWPE & Leather |
| AIR | | |
| Air Pressure Operating Range | 1-6 bar (14-87 psi) | 1-6 bar (14-87 psi) |
| Maximum Air Consumption (60 cycles/min) | 6894 lpm (243.46 cfm) | 4187 lpm (147.86 cfm) |
| Air Consumption at 100bar (1450psi) & 6.5CPM | 175.8 lpm (6.21 cfm) | 175.6 lpm (6.2 cfm) |
| Maximum Air Inlet Pressure | 6 bar (87 psi) | 6 bar (87 psi) |
| Air Inlet | ¾" BSP Female | ¾" BSP Female |
| Compressor Requirements (Minimum) | 175.8 lpm (6.21 cfm) | 175.6 lpm (6.2 cfm) |
| Ambient Air Temperature Operating Range | -10 to 60°C (14 to 140°F) | -10 to 60°C (14 to 140°F) |
| FLUID / PRODUCT | | |
| Maximum Fluid Outlet Working Pressure | 425 bar (6164 psi) | 260 bar (3771 psi) |
| Fluid Outlet Size | Outlet 1: ¾" BSP M Outlet 2: ½" BSP M (Supplied with adapter to reduce outlet 2 to ¾" BSP M) | |
| Stroke Length | 120mm (4.72") | 120mm (4.72") |
| Maximum Spray Tip Size | Dependent on product being sprayed and application | |
| Product Output per Cycle ¹ | 270cc (0.07 US gal) | 270cc (0.07 US gal) |
| Free Flow Delivery @ 60 CPM ² | 16.2lpm (547.79 fl oz/min) | 16.2lpm (547.79 fl oz/min) |
| Number of Guns | 1-2 spray guns ³ | 1 spray gun |
| DIMENSIONS | | |
| Dimensions (Trolley Mount) | 839 x 623 x 1054mm (33 x 24.5 x 41.5") | 839 x 623 x 1054mm (33 x 24.5 x 41.5") |
| Weight (with Suction Hose) | 102kg (225 lbs) | 92kg (203 lbs) |
| Weight (with Hopper) | 121kg (267 lbs) | 111kg (245 lbs) |

COMPLIANCE:
ATEX  2 II GX

1. Product Output per Cycle = Fluid Displacement per Cycle

2. Maximum values with water as test media.

3. Supports up to 2 spray guns, contact your Elcometer Spray Equipment Representative for further information.

Elcometer **TORNADO** Ordering Information

The Elcometer Tornado Pump is available as a complete kit with Elcometer's Sagola PSAM 500 Airless Spray Gun, reversible tip spray guard and product hose.



PACKAGE SELECTOR

◀ Supplied as standard ◁ Optional extra

| Part Number | | | | | | Spray Gun |
|-----------------------------------|---------|--------------|------------|---|------------------------|--|
| | Trolley | Suction Hose | Hopper Fed | 15m (49.2ft) Product Hose with 1.5m (4.9ft) Whip Hose | Integrated Pump Filter | Sagola PSAM 500 Airless Spray Gun with Reversible Tip Spray Guard & Reversible Airless Spray Tip: 19/40: 0.019"/0.48mm, 40 Deg |
| TORNADO 43 Airless Pump | | | | | | |
| TN43-PS500-15 | ◀ | ◀ | ◁ | ◀ | ◀ | ◀ |
| PSP43AL-T | ◀ | ◀ | ◁ | ◀ | ◀ | |
| TORNADO 71 Airless Pump | | | | | | |
| TN71-PS500-15 | ◀ | ◀ | ◁ | ◀ | ◀ | ◀ |
| PSP71AL-T | ◀ | ◀ | ◁ | ◀ | ◀ | |

PUMP ONLY PART NUMBERS

◀ Supplied as standard ◁ Optional extra

| Part Number | Description | Trolley | Product & Whip Hose | Suction Hose | Hopper |
|-------------|--|---------|---------------------|--------------|--------|
| PSP43AL-TZ | Elcometer Tornado (43:1) Airless Piston Pump | ◀ | | ◀ | ◁ |
| PSP71AL-TZ | Elcometer Tornado (71:1) Airless Piston Pump | ◀ | | ◀ | ◁ |

Elcometer **Tornado** Accessories

Stainless Steel Product Hopper Kit

Large 38 litre (10 US Gallon) gravity product tank and filter for use with Elcometer Tornado airless pumps.



| Part Number | Description |
|-------------|------------------------------------|
| PT30090389 | Hopper Kit 38 litre (10 US Gallon) |

Airless Product Hose

High pressure airless product hose: Working pressure: 6,164 psi (425 bar). ID: 9.6mm (0.38") x OD: 17.5mm (0.69") with 1/4" swivel couplings.

High pressure airless whip hose: Working pressure: 6,527 psi (450 bar). ID: 6mm (0.236") x OD: 13.5mm (0.354") with 1/4" swivel couplings.



| Part Number | Description |
|-------------|--|
| PT56414131 | High Pressure Airless Product Hose Set (includes 15m (49.2ft) High Pressure Airless Product Hose, 1.5m (4.9ft) Whip Hose and 1/4" to 3/8" Adapter) |
| PT86463831 | High Pressure Airless Product Hose 15m (49.2ft) |
| PT56414110 | High Pressure Airless Whip Hose 1.5m (4.9ft) |
| PT55750311 | 1/4" to 3/8" Adapter |
| PT85761110 | 3/8" M-M Stainless Steel Connector for High Pressure Hose |

Airless Spray Guns

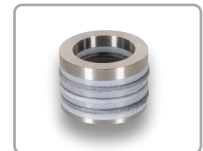
Elcometer's Sagola PSAM 500 Airless Spray Gun with reversible tip spray guard. Maximum pressure 7,252psi (500 bar). A comprehensive range of fixed and reversible airless spray tips are available - visit www.elcometer.com for more information.



| Part Number | Description |
|-------------|---|
| PG30170111 | Sagola PSAM 500 Airless Spray Gun with Reversible Tip Spray Guard |
| PG30170108 | Sagola PSAM 500 Airless Spray Gun with Fixed Tip Spray Guard |

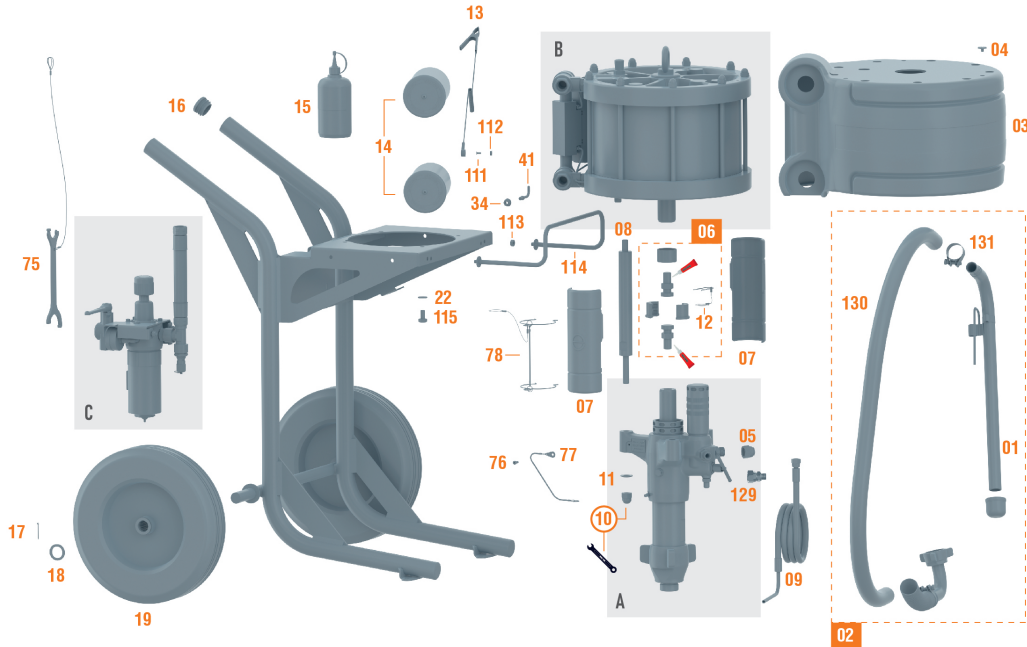
elcoTOUGH™ Packings

Engineered to be abrasive, solvent and wear resistant, ensuring a tight pump seal for a better and more consistent performance.

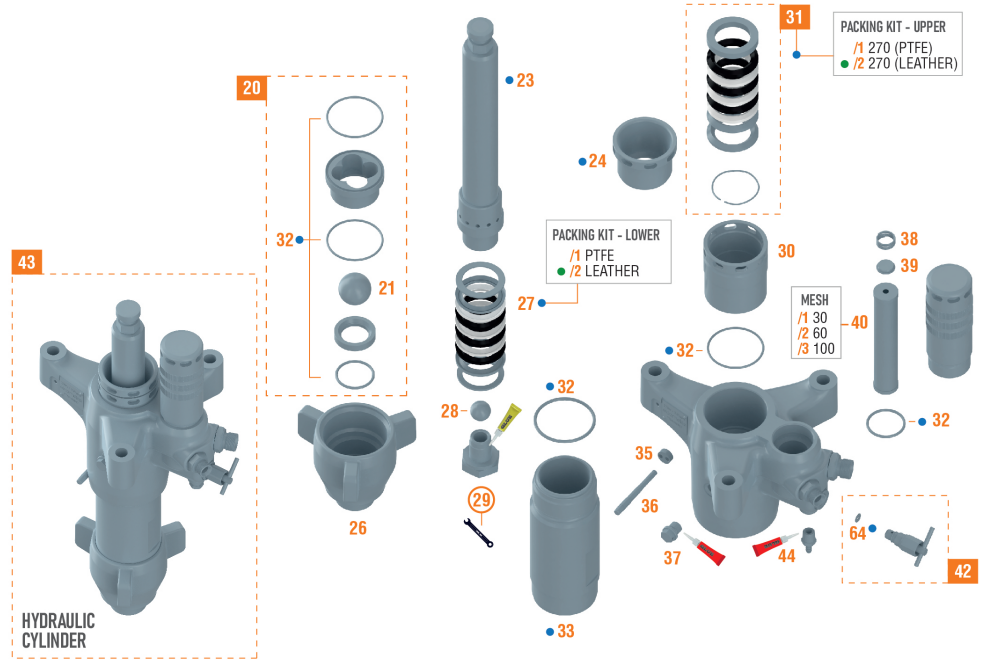


| Part Number | Description |
|-------------|---|
| PT56418753 | elcoTOUGH™ Upper Packing Kit: UHMWPE, PTFE & Graphite Filled PTFE |
| PT56418754 | elcoTOUGH™ Upper Packing Kit: UHMWPE & Leather |
| PT56418749 | elcoTOUGH™ Lower Packing Kit: UHMWPE, PTFE & Graphite Filled PTFE |
| PT56418750 | elcoTOUGH™ Lower Packing Kit: UHMWPE & Leather |

Elcometer **TORNADO** Spares



Section A Hydraulic Cylinder



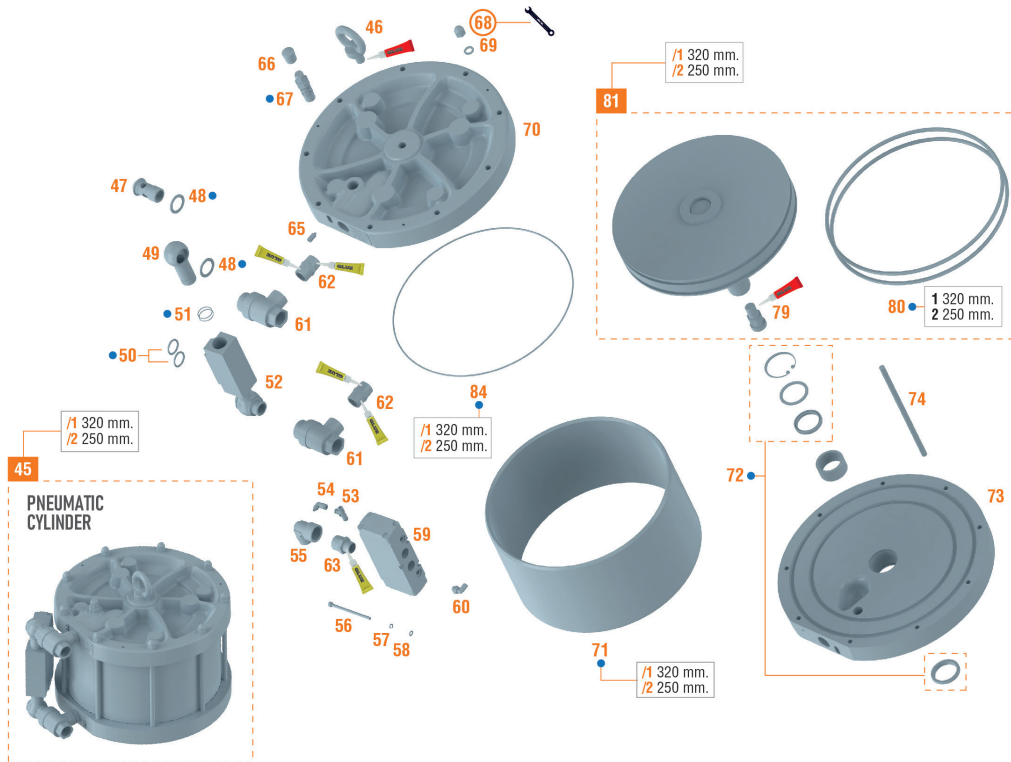
(*) min. 5 u. **10** 70 Nm:51.6 ft.lb
29 80 Nm:58 ft.lb

Applying consistent grease High Resistance Adhesive
 Soaking with throat seal liquid Low Resistance Adhesive

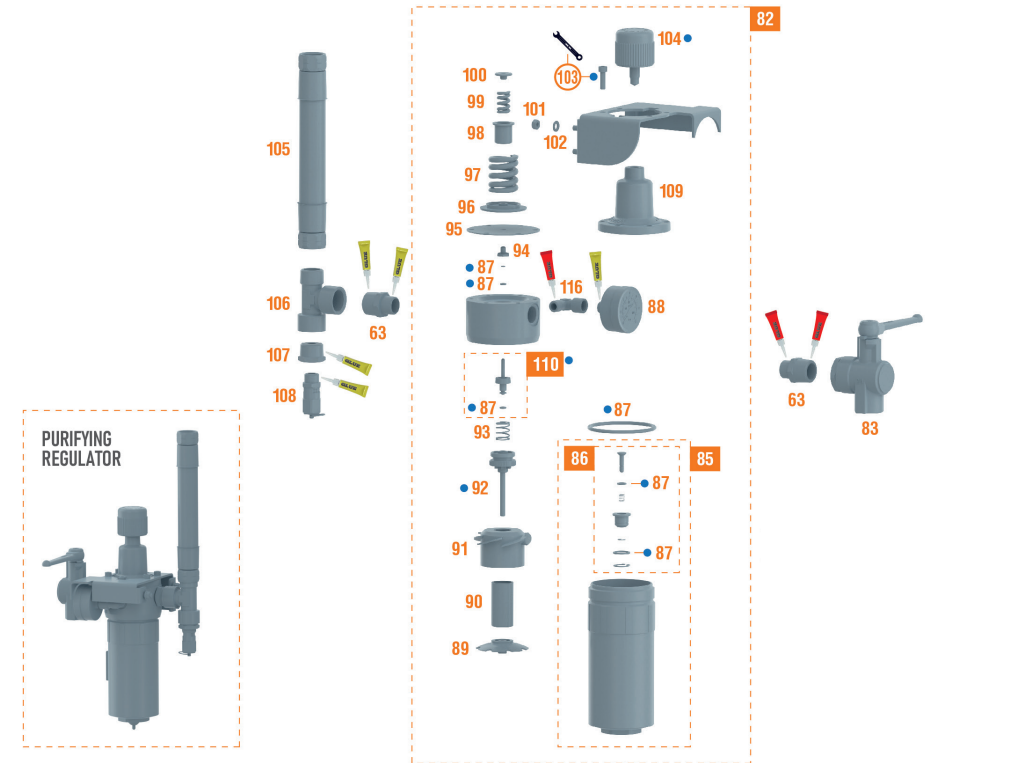
| No. | Part No. | QTY | No. | Part No. | QTY | No. | Part No. | QTY | No. | Part No. | QTY | No. | Part No. | QTY | No. | Part No. | QTY | No. | Part No. | QTY | No. | Part No. | QTY | | | | | | |
|-----|------------|-----|------|------------|-----|------|------------|-----|------|------------|-----|-----|------------|-----|------|------------|-----|------|------------|-----|------|------------|-----|-----|------------|---|-----|------------|---|
| 01 | PT30090024 | 1 | 14 | PT56417138 | 2 | 27/2 | PT56418750 | 1 | 39 | PT50710020 | 1 | 49 | PT55710006 | 1 | 61 | PT57510017 | 1 | 73 | PT57110504 | 1 | 84/1 | PT54250816 | 1 | 96 | 50810016 | 1 | 109 | PT57110202 | 1 |
| 02 | PT56415906 | 1 | 15 | PT30090100 | 1 | 28 | PT51250120 | 1 | 40/1 | 83660505 | 1 | 50 | 54250950 | 2 | 62 | PT55710516 | 1 | 74 | PT57211917 | 9 | 84/2 | PT54250817 | 1 | 97 | 54710263 | 1 | 110 | 56417405 | 1 |
| 03 | PT57110036 | 1 | 16 | PT85762144 | 4 | 29 | PT56417217 | 1 | 40/2 | PT83660030 | 1 | 51 | PT54250815 | 1 | 63 | PT55710251 | 1 | 75 | PT56410154 | 1 | 85 | PT56417715 | 1 | 98 | 56310011 | 1 | 111 | 57250702 | 1 |
| 04 | PT57250416 | 9 | 17 | PT54850102 | 2 | 30 | PT51910809 | 1 | 40/3 | PT83660029 | 1 | 52 | PT52710803 | 1 | 64 | PT50810260 | 1 | 76 | 87260404 | 1 | 86 | 56418533 | 1 | 99 | 54710245 | 1 | 112 | PT52310008 | 1 |
| 05 | PT55712189 | 1 | 18 | 80860403 | 2 | 31/1 | PT56418753 | 1 | 41 | PT56310054 | 1 | 53 | 85762016 | 1 | 65 | PT85760315 | 1 | 77 | PT52410023 | 1 | 87 | 56418532 | 1 | 100 | PT51911518 | 1 | 113 | PT57450909 | 2 |
| 06 | PT56410114 | 1 | 19 | PT56250205 | 2 | 31/2 | PT56418754 | 1 | 42 | PT56417509 | 1 | 54 | PT55751812 | 1 | 66 | PT85762138 | 1 | 78 | PT56410155 | 1 | 88 | 54550016 | 1 | 101 | PT57450904 | 3 | 114 | PT56310050 | 1 |
| 07 | PT52710319 | 2 | 20 | PT56418764 | 1 | 32 | PT56418765 | 1 | 43 | PT56416817 | 1 | 55 | PT55750819 | 1 | 67 | PT56417219 | 1 | 79 | PT53110029 | 1 | 89 | 57411202 | 1 | 102 | 50850402 | 3 | 115 | PT87261010 | 4 |
| 08 | PT53111319 | 3 | 21 | PT51250121 | 1 | 33 | PT52110317 | 1 | 44 | 85760004 | 1 | 56 | PT57250829 | 3 | 68 | PT57451007 | 9 | 80/1 | PT54251038 | 1 | 90 | 56418720 | 1 | 103 | 57250817 | 6 | 116 | PT55750802 | 1 |
| 09 | PT86463905 | 1 | 22 | PT50850406 | 4 | 34 | PT57450703 | 1 | 45/1 | PT56416818 | 1 | 57 | PT50850702 | 3 | 69 | PT80860501 | 9 | 80/2 | PT54251045 | 1 | 91 | 52713103 | 1 | 104 | PT57810341 | 1 | 129 | PT55750032 | 1 |
| 10 | PT57451006 | 3 | 23 | PT56414725 | 1 | 35 | PT57410016 | 1 | 45/2 | PT56416823 | 1 | 58 | 80860405 | 3 | 70 | PT57110505 | 1 | 81/1 | PT56413216 | 1 | 92 | 56310604 | 1 | 105 | PT56414016 | 1 | 130 | PT52410025 | 1 |
| 11 | PT50850411 | 3 | 24 | PT51910810 | 1 | 36 | PT57210019 | 1 | 46 | PT50250015 | 1 | 59 | PT57510016 | 1 | 71/1 | PT52110318 | 1 | 81/2 | PT56413217 | 1 | 93 | 54710250 | 1 | 106 | PT55752013 | 1 | 131 | PT50150004 | 2 |
| 12 | PT56410156 | 1 | 26 | PT52713035 | 1 | 37 | PT52910012 | 1 | 47 | PT55710514 | 1 | 60 | 85760812 | 1 | 71/2 | PT52110321 | 1 | 82 | PT56410112 | 1 | 94 | 57210101 | 1 | 107 | PT55710517 | 1 | | | |
| 13 | PT56411450 | 1 | 27/1 | PT56418749 | 1 | 38 | PT54710285 | 1 | 48 | PT54250030 | 2 | | | | 72 | PT56418763 | 1 | 83 | PT57510018 | 1 | 95 | 54610302 | 1 | 108 | PT57511107 | 1 | | | |

Elcometer **TORNADO** Spares

Section B Pneumatic Cylinder



Section C Air Regulator and Filter Assembly



(*) min. 5 u. **68** 25 Nm:18.4 ft.lb **103** 4 Nm:2.95 ft.lb

Applying consistent grease High Resistance Adhesive
 Soaking with throat seal liquid Low Resistance Adhesive

| No. | Part No. | QTY | No. | Part No. | QTY | No. | Part No. | QTY | No. | Part No. | QTY | No. | Part No. | QTY | No. | Part No. | QTY | No. | Part No. | QTY | No. | Part No. | QTY | | | | | | |
|-----|------------|-----|------|------------|-----|------|------------|-----|------|------------|-----|-----|------------|-----|------|------------|-----|------|------------|-----|------|------------|-----|-----|------------|---|-----|------------|---|
| 01 | PT30090024 | 1 | 14 | PT56417138 | 2 | 27/2 | PT56418750 | 1 | 39 | PT50710020 | 1 | 49 | PT55710006 | 1 | 61 | PT57510017 | 1 | 73 | PT57110504 | 1 | 84/1 | PT54250816 | 1 | 96 | 50810016 | 1 | 109 | PT57110202 | 1 |
| 02 | PT56415906 | 1 | 15 | PT30090100 | 1 | 28 | PT51250120 | 1 | 40/1 | 83660505 | 1 | 50 | 54250950 | 2 | 62 | PT55710516 | 1 | 74 | PT57211917 | 9 | 84/2 | PT54250817 | 1 | 97 | 54710263 | 1 | 110 | 56417405 | 1 |
| 03 | PT57110036 | 1 | 16 | PT85762144 | 4 | 29 | PT56417217 | 1 | 40/2 | PT83660030 | 1 | 51 | PT54250815 | 1 | 63 | PT55710251 | 1 | 75 | PT56410154 | 1 | 85 | PT56417715 | 1 | 98 | 56310011 | 1 | 111 | 57250702 | 1 |
| 04 | PT57250416 | 9 | 17 | PT54850102 | 2 | 30 | PT51910809 | 1 | 40/3 | PT83660029 | 1 | 52 | PT52710803 | 1 | 64 | PT50810260 | 1 | 76 | 87260404 | 1 | 86 | 56418533 | 1 | 99 | 54710245 | 1 | 112 | PT52310008 | 1 |
| 05 | PT55712189 | 1 | 18 | 80860403 | 2 | 31/1 | PT56418753 | 1 | 41 | PT56310054 | 1 | 53 | 85762016 | 1 | 65 | PT85760315 | 1 | 77 | PT52410023 | 1 | 87 | 56418532 | 1 | 100 | PT51911518 | 1 | 113 | PT57450909 | 2 |
| 06 | PT56410114 | 1 | 19 | PT56250205 | 2 | 31/2 | PT56418754 | 1 | 42 | PT56417509 | 1 | 54 | PT55751812 | 1 | 66 | PT85762138 | 1 | 78 | PT56410155 | 1 | 88 | 54550016 | 1 | 101 | PT57450904 | 3 | 114 | PT56310050 | 1 |
| 07 | PT52710319 | 2 | 20 | PT56418764 | 1 | 32 | PT56418765 | 1 | 43 | PT56416817 | 1 | 55 | PT55750819 | 1 | 67 | PT56417219 | 1 | 79 | PT53110029 | 1 | 89 | 57411202 | 1 | 102 | 50850402 | 3 | 115 | PT87261010 | 4 |
| 08 | PT53111319 | 3 | 21 | PT51250121 | 1 | 33 | PT52110317 | 1 | 44 | 85760004 | 1 | 56 | PT57250829 | 3 | 68 | PT57451007 | 9 | 80/1 | PT54251038 | 1 | 90 | 56418720 | 1 | 103 | 57250817 | 6 | 116 | PT55750802 | 1 |
| 09 | PT86463905 | 1 | 22 | PT50850406 | 4 | 34 | PT57450703 | 1 | 45/1 | PT56416818 | 1 | 57 | PT50850702 | 3 | 69 | PT80860501 | 9 | 80/2 | PT54251045 | 1 | 91 | 52713103 | 1 | 104 | PT57810341 | 1 | 129 | PT55750032 | 1 |
| 10 | PT57451006 | 3 | 23 | PT56414725 | 1 | 35 | PT57410016 | 1 | 45/2 | PT56416823 | 1 | 58 | 80860405 | 3 | 70 | PT57110505 | 1 | 81/1 | PT56413216 | 1 | 92 | 56310604 | 1 | 105 | PT56414016 | 1 | 130 | PT52410025 | 1 |
| 11 | PT50850411 | 3 | 24 | PT51910810 | 1 | 36 | PT57210019 | 1 | 46 | PT50250015 | 1 | 59 | PT57510016 | 1 | 71/1 | PT52110318 | 1 | 81/2 | PT56413217 | 1 | 93 | 54710250 | 1 | 106 | PT55752013 | 1 | 131 | PT50150004 | 2 |
| 12 | PT56410156 | 1 | 26 | PT52713035 | 1 | 37 | PT52910012 | 1 | 47 | PT55710514 | 1 | 60 | 85760812 | 1 | 71/2 | PT52110321 | 1 | 82 | PT56410112 | 1 | 94 | 57210101 | 1 | 107 | PT55710517 | 1 | | | |
| 13 | PT56411450 | 1 | 27/1 | PT56418749 | 1 | 38 | PT54710285 | 1 | 48 | PT54250030 | 2 | | | | | | | | | | | | | | | | | | |

Local support... Globally



ENGLAND, UK

Elcometer Limited
+44 (0)161 371 6000
sales@elcometer.com
www.elcometer.com

FRANCE

Elcometer Sarl
+33 (0)2 38 86 33 44
contact@elcometer.com
www.elcometer.fr

GERMANY

Elcometer Instruments GmbH
+49 (0) 7361 52806 0
de_info@elcometer.com
www.elcometer.de

THE NETHERLANDS

Elcometer B.V.
+31 (0)30 259 1818
nl_info@elcometer.com
www.elcometer.nl

SPAIN

Sagola SAU
+34 945 214 150
sagola@sagola.com
www.sagola.com

JAPAN

Elcometer KK
+81 (0)3 6869 0770
jp_info@elcometer.com
www.elcometer.co.jp

REPUBLIC OF SINGAPORE

Elcometer (Asia) Pte Ltd
+65 6462 2822
asia@elcometer.com
www.elcometer.com

UNITED ARAB EMIRATES

Elcometer LLC
+971 4 280 3526
uae_sales@elcometer.com
www.elcometer.ae

UNITED STATES OF AMERICA

Elcometer Inc
+1 248 650 0500
Toll Free: 800 521 0635
inc@elcometer.com
www.elcometer.com

elcometer®
www.elcometer.com